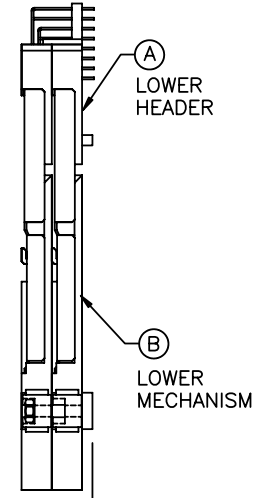
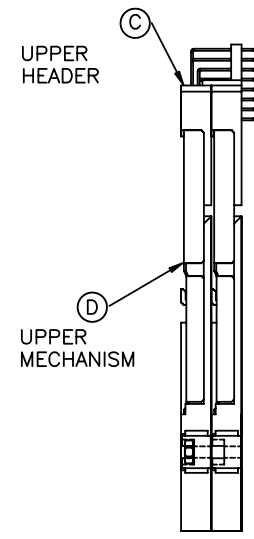
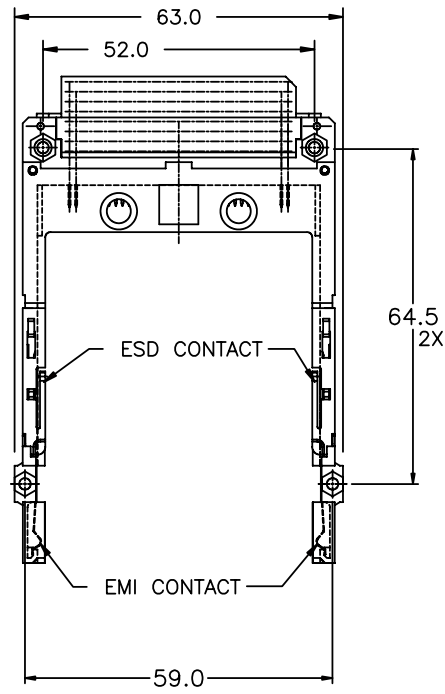
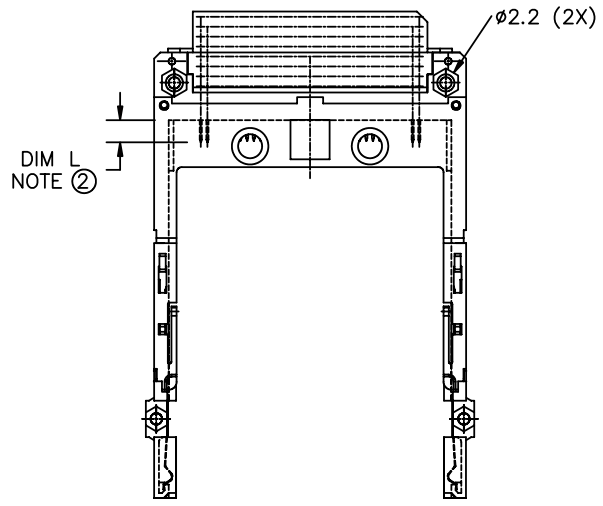


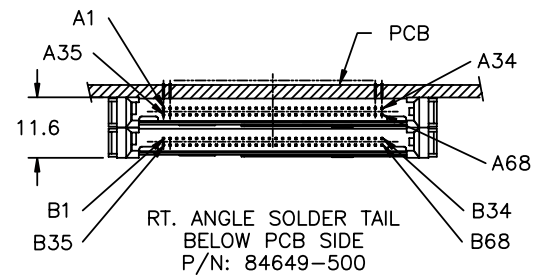
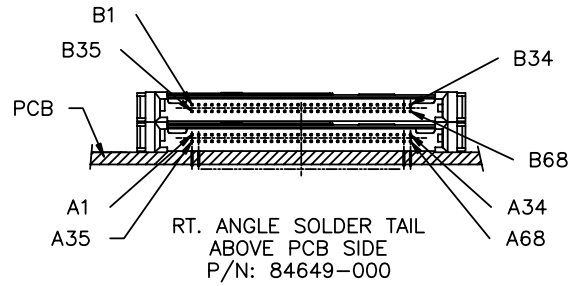
FCI CONFIDENTIAL

This document is the property of and embodies CONFIDENTIAL and PROPRIETARY information of FCI. No part of the information shown on this document may be used in any way or disclosed to others without the written consent of FCI.  
Copyright FCI.

PCMCIA COMPONENTS:  
DOUBLE DECK ASSEMBLY



STAND-OFF

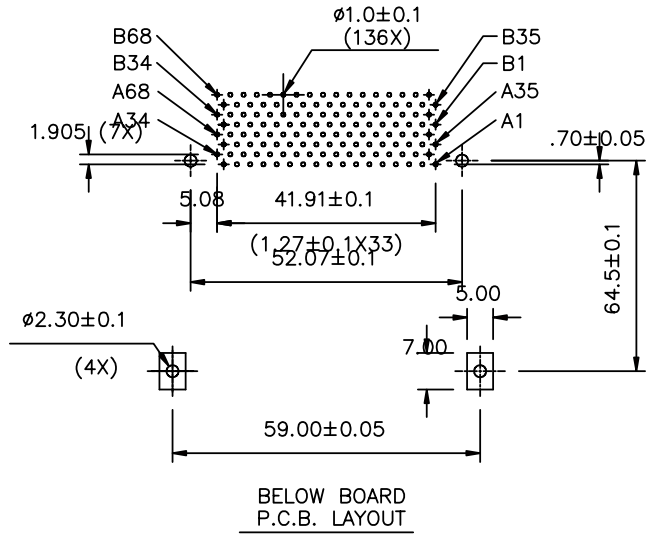
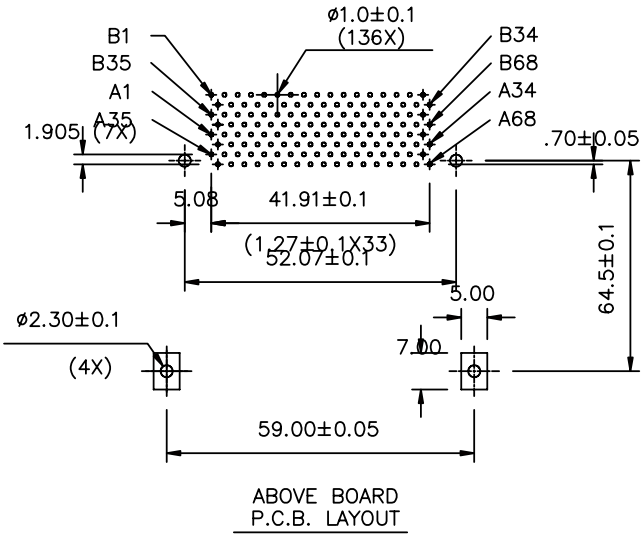


- REFER TO HEADER DRAWING 94898 AND NON-EJECT MECHANISM 92791 FOR ADDITIONAL DIMENSIONS, MATERIAL, AND PLATING INFORMATION.
- RECOMMENDED SCREW TORQUE: 1.0 TO 1.5 MAX in-lbs. (1.2-1.7 cm-kgs).

mat'l. code		surface		tolerance		projection		product family	
ltr ecn no dr date		tolerances unless otherwise specified		±0.15		MM		title	
A	V81226	RHG	6/22/98	angles	linear	scale		3.3V DOUBLE DECK NON-EJECT HEADER ASS'Y	
B	V12164	TFG	8/17/01	±2'		FCI		dwg no 84649 sheet 1 of 2 size A4	
C	N06-0135	MZ	05/25/06					type CUSTOMER Drawing	
		dr	Mike Zhou	05/25/06					
		engr	Mike Zhou	05/25/06					
		chr	Mike Zhou	05/25/06					
		appd	Qin David	05/25/06					
sheet index	revision sheet	C	C						
		1	2						

PCMCIA COMPONENTS: DOUBLE DECK ASSEMBLY

PCB SIDE ①	STANDOFF (MM)	LOWER DECK		UPPER DECK		TO MAKE FINAL ASSY PART NUMBER	MOUNTING STYLE TO P.C.B.
		(A) HEADER	(B) MECHANISM	(C) HEADER	(D) MECHANISM		
ABOVE	NONE	94898-000	92791-001	94898-005	92791-001	84649 -000	
ABOVE	2	94898-040	92791-021	94898-045	92791-001	84649 -020	
BELOW	NONE	94898-500	92791-001	94898-505	92791-001	84649 -500	
BELOW	2	94898-540	92791-021	94898-545	92791-001	84649 -520	



NOTES:

- ① PCB SIDE IS AS APPEARS INSTALLED.
- ② DIM L

4.25±0.1	3.5±0.1	5.0±0.1
OTHERS	36,67	1,17,34,35,51,68

mat'l. code		surface		tolerance	projection	product family	
ltr	ecn no	dr	date	tolerances unless otherwise specified		title	
C				angles	linear	3.3V DOUBLE DECK NON-EJECT HEADER ASS'Y	
				±2'		MM	
				dr	Mike Zhou	05/25/06	scale
				engr	Mike Zhou	05/25/06	FCI
				chr	Mike Zhou	05/25/06	dwg no
				appd	Qin David	05/25/06	sheet2of2 size
							84649
							A4
							type CUSTOMER Drawing
sheet index	revision sheet						